

PCB Fuse Clips for ATC/ATM Blade, 5mm, 1/4" & 13/32" Diameter Fuses

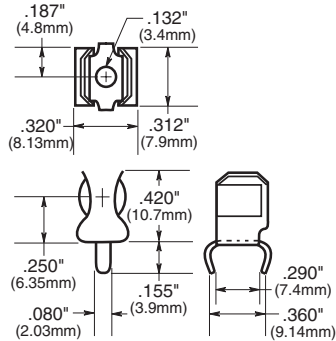
1AXXX Series

For 1/4" Diameter Fuses

1A1119 Series***

With End Stops and Angled In leads

Dimensional Data



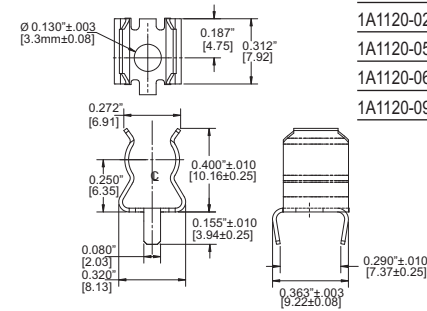
Catalog Number	Clip Mat.*	Finish
1A1119-04	High Performance Cu**	Bright Tin
1A1119-05	High Performance Cu**	Silver
1A1119-10	Cart. Brass	Bright Tin



1A1120 Series***

Without End Stops and Angled In Leads

Dimensional Data



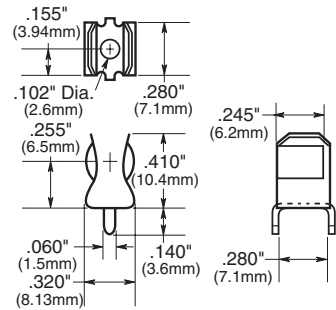
Catalog Number	Clip Mat.*	Finish
1A1120-02	Cart. Brass	Bright Dip
1A1120-05	High Performance Cu**	Silver
1A1120-06	High Performance Cu**	Bright Tin
1A1120-09	Cart. Brass	Bright Tin



1A1907 Series***

With End Stops & Straight Leads

Dimensional Data



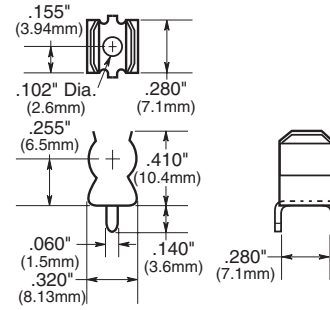
Catalog Number	Clip Mat.*	Finish
1A1907-02	Cart. Brass	None Bright Dipped
1A1907-03	High Performance Cu**	Bright Tin
1A1907-05	High Performance Cu**	Silver
1A1907-06	Cart. Brass	Bright Tin



1A3398 Series***

Without End Stops & Straight Leads

Dimensional Data



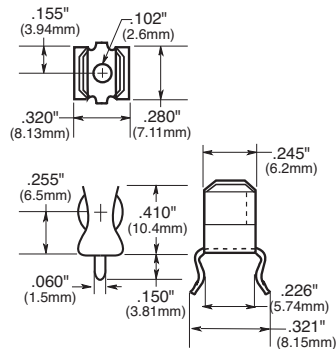
Catalog Number	Clip Mat.*	Finish
1A3398-07	Cart. Brass	Bright Tin



1A4534 Series***

With End Stops & Angled Out Leads

Dimensional Data



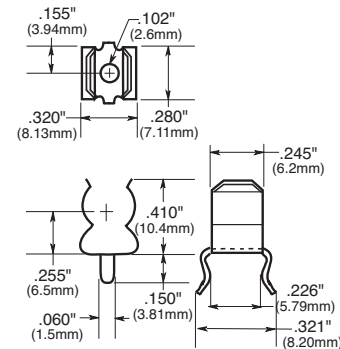
Catalog Number	Clip Mat.*	Finish
1A4534-01	High Performance Cu**	Bright Tin
1A4534-06	Cart. Brass	Bright Tin



1A4533 Series***

Without End Stops & Angled Out Leads

Dimensional Data



Catalog Number	Clip Mat.*	Finish
1A4533-01	High Performance Cu**	Bright Tin
1A4533-06	Cart. Brass	Bright Tin



*Spg. Br. - Spring Bronze; BeCu - Beryllium Copper; Cart. Brass - Cartridge Brass

**BeCu or High Performance Cu recommended for currents higher than 15 amps.

***For RoHS compliant version add "-R" option code suffix to part number.

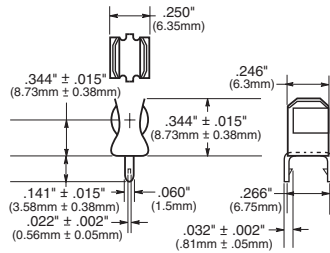
PCB Fuse Clips for ATC/ATM Blade, 5mm, 1/4" & 13/32" Diameter Fuses

1AXXX Series

For 5mm Diameter Fuses

1A5601 Series (0 to 7 amps)

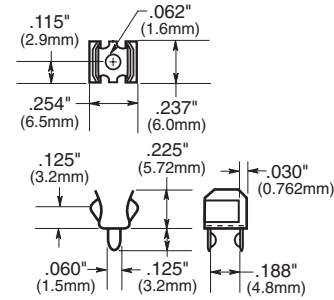
Dimensional Data



Catalog Number	Clip Mat.*	Finish
1A5601	Cart. Brass	Bright Tin

1A3399 and 1A5018 Series*** With Straight Leads

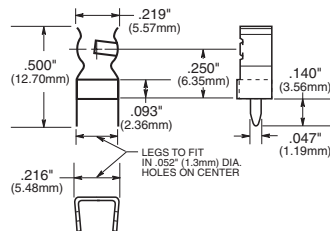
Dimensional Data



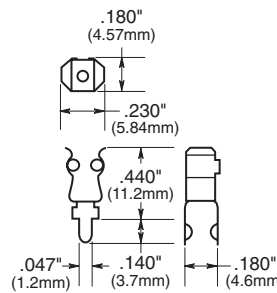
Catalog Number	Clip Mat.*	Finish
1A3399-10	Spg. Br.	Bright Tin
1A3399-01	BeCu**	Silver
1A3399-04	BeCu**	Bright Tin

1A5602 Series (0 to 7 Amps)

Dimensional Data



Catalog Number	Clip Mat.	Finish
1A5602	Cart. Brass	Bright Tin



High Profile

Catalog Number	Clip Mat.*	Finish
1A5018-10	Spg. Br.	Bright Tin
1A5018-7	Spg. Br.	Silver

Specifications

5mm PCB Mount Fuseclips
 Current Rating: 15A
 Voltage Rating: 500Vac
 PCB Terminals: Solder Lug

*Spg. Br. - Spring Bronze; BeCu - Beryllium Copper; Cart. Brass - Cartridge Brass.

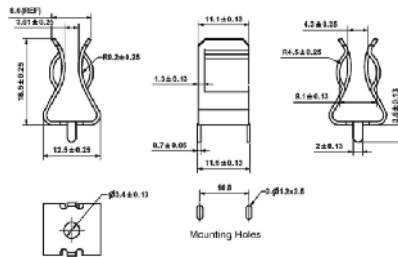
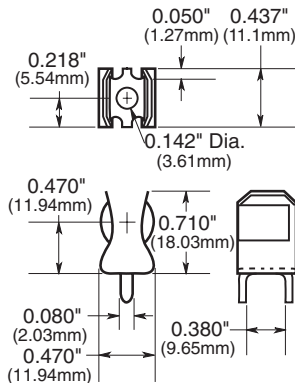
**BeCu recommended for currents higher than 15 amps.

For 13/32" Diameter Fuses

1A3400 Series***

With End Stops & Straight Leads

Dimensional Data



1A3400-12

Specifications:

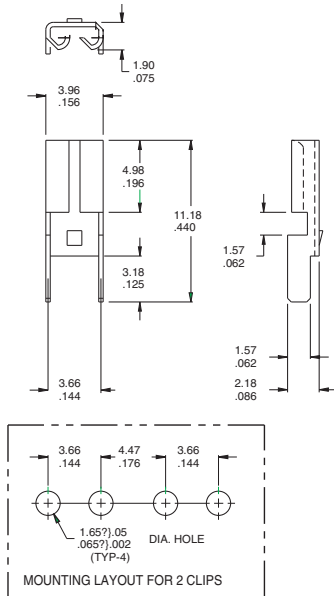
Catalog Number	Clip Material	Finish	Amp Rating
1A3400-09	Spring Bronze	Bright Tin	20A Max.
1A3400-10	Beryllium Copper	Silver	30A Max.
1A3400-12	Spring Brass	Bright Tin	15A Max.

***For RoHS compliant version add "-R" option code suffix to part number.

PCB Fuse Clips for ATC/ATM Blade, 5mm, 1/4" & 13/32" Diameter Fuses

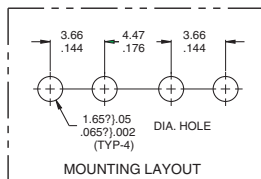
1AXXXX Series

ATM Fuses
1A5778 Series
Dimensional Data



MATERIAL: BRASS, NICKEL PLATED, .30
.012 THICK

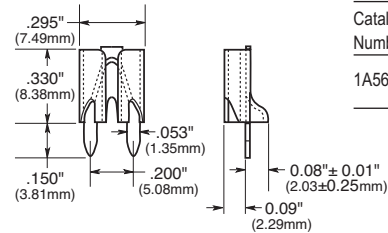
1A5779 Series



SPECIFICATIONS

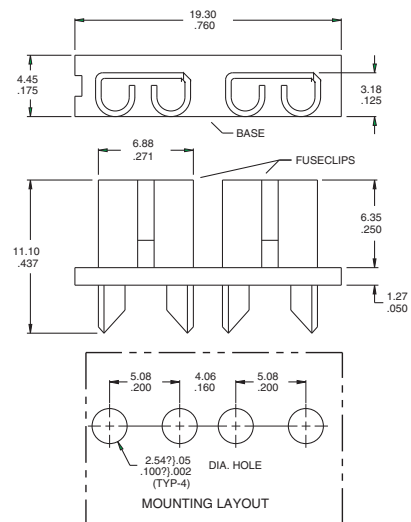
FUSECLIPS	BRASS, NICKEL PLATED
BASE MATERIAL	GLASS FILLED NYLON, UL RATED 94V-0
CURRENT RATING	15 AMPS
VOLTAGE RATING	500V AC
TEMPERATURE RATING	-50°C TO 145°C -58°F TO 292°F

ATC Fuses (0 to 20 Amps)
1A5600 Series
Dimensional Data



Catalog Number	Clip Mat.*	Finish
1A5600	Cart. Brass	Satin Finish Tin

1A5780 Series
Dimensional Data



SPECIFICATIONS

FUSECLIPS	BRASS, NICKEL PLATED
BASE MATERIAL	GLASS FILLED NYLON, UL RATED 94V-0
CURRENT RATING	15 AMPS
VOLTAGE RATING	500V AC
TEMPERATURE RATING	-50°C TO 145°C -58°F TO 292°F

*Spg. Br. - Spring Bronze; BeCu - Beryllium Copper; Cart. Brass - Cartridge Brass

***For RoHS compliant version add "-R" option code suffix to part number.

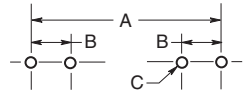
PCB Fuse Clips for ATC/ATM Blade, 5mm, 1/4" & 13/32" Diameter Fuses

1AXXXX Series

Fuse Clip Catalog Numbers

Footprint

Dimensional Data



Dimensions

Catalog Number	A						ATC	ATM	B Tabs	C (4 holes)	Board Thickness
	7/8"	1"	1 1/4"	1 1/8"	1 1/2"	20mm					
1A5778-	—	—	—	—	—	—	—	0.464" (11.79)	0.144" (3.66)	0.065"±0.002" (1.65±0.05)	0.062" (1.57)
1A5779-	—	—	—	—	—	—	—	0.464" (11.79)	0.144" (3.66)	0.065"±0.002" (1.65±0.05)	0.062" (1.57)
1A5780-	—	—	—	—	—	—	0.560 (14.22)	—	0.200" (5.08)	0.100"±0.002" (2.54±0.05)	0.062" (1.57)
1A3398-	1.00"	1.125"	1.375"	—	—	—	—	0.295"-0.305"	0.067"-0.070"	0.093"	0.093"
1A1907-	(25.40)	(28.58)	(34.920)	—	—	—	—	(7.49-7.75)	(1.70-1.78)	(2.36)	(2.36)
1A1119-	1.00"	1.125"	1.375"	—	—	—	—	0.295"±0.305"	0.093"±0.002"	0.062"to 0.125"	0.062"to 0.125"
	(25.40)	(28.58)	(34.92)	—	—	—	—	(7.49-7.75)	(2.36±0.05)	(1.57to3.18)	(1.57to3.18)
1A1120-	1.00"	1.125"	1.375"	—	—	—	—	0.295"-0.305"	0.093"±0.002"	0.062"to 0.125"	0.062"to 0.125"
	(25.40)	(28.58)	(34.920)	—	—	—	—	(7.49-7.75)	(2.36±0.05)	(1.57 to 3.18)	(1.57 to 3.18)
1A3399-	—	—	—	—	—	0.875"	—	—	0.200"	0.067"-0.070"	0.093"
	—	—	—	—	—	(22.23)	—	—	(5.08)	(1.70-1.78)	(2.36)
1A3400-	—	—	—	1.50"	1.625"	—	—	—	0.405"	0.091"-0.095"	0.125"
	—	—	—	(38.10)	(41.28)	—	—	—	(10.29)	(2.31-2.41)	(3.18)
1A4533-	1.00"	1.125"	1.375"	—	—	—	—	—	0.300"	0.067"-0.070"	0.062"
	(25.40)	(28.58)	(34.920)	—	—	—	—	—	(7.62)	(1.70-1.78)	(1.57)
1A4534-	1.00"	1.125"	1.375"	—	—	—	—	—	0.300"	0.067"-0.070"	0.062"
	(25.40)	(28.58)	(34.920)	—	—	—	—	—	(7.62)	(1.70-1.78)	(1.57)
1A5018-	—	—	—	—	—	0.820"±0.015"	—	—	0.180"	0.053"-0.002"	0.093"
	—	—	—	—	—	(20.80±0.38)	—	—	(4.6)	(1.35-0.05)	(2.36)
1A5600-	—	—	—	—	—	—	—	—	0.200"	0.052"±0.003"	0.125"max.
	—	—	—	—	—	—	—	—	(5.08)	(1.32±0.077)	(3.18)
1A5601-	—	—	—	—	—	0.820"±0.015"	—	—	0.266"	0.067"±0.003"	0.062"
	—	—	—	—	—	(20.80±0.38)	—	—	(6.76)	(1.70±0.074)	(1.57)
1A5602-	—	—	—	—	—	—	—	—	0.220"	—	0.125"max.
	—	—	—	—	—	—	—	—	(5.588)	—	(3.175)

The only controlled copy of this Data Sheet is the electronic read-only version located on the Cooper Bussmann Network Drive. All other copies of this document are by definition uncontrolled. This bulletin is intended to clearly present comprehensive product data and provide technical information that will help the end user with design applications. Cooper Bussmann reserves the right, without notice, to change design or construction of any products and to discontinue or limit distribution of any products. Cooper Bussmann also reserves the right to change or update, without notice, any technical information contained in this bulletin. Once a product has been selected, it should be tested by the user in all possible applications.